

# KT-HD62A/62DB

## (NDI Version:KT-HD62AN/62DBN)

FHD 20/30X PTZ Camera

1080P 60FPS

USB3.0+HDMI+LAN+3G-SDI

20/30X

POE

NDI®|HX2/FULL NDI® (Optional)

AI Tracking

Auto Framing



## Features

### ■ 1080P HD Resolution:

Applies SONY 1/2.8" CMOS sensor, 2.07 Megapixels, max.1920x1080 high resolution with frame rate up to 60fps.

### ■ 20X,30X Optical Zoom:

KT-HD62A: 20x optical zoom+16x digital zoom, 58.7°distortion-free horizontal view angle.

KT-HD62DB: 30x optical zoom+16x digital zoom, 58.1°distortion-free horizontal view angle.

### ■ USB3.0+HDMI+LAN+3G-SDI Full interfaces, Rich Application Scenarios:

USB3.0+HDMI+LAN+3G-SDI full interfaces, support up to 60 frames of 1080p full HD image output, rich application scenarios.

### ■ Supports Both NDI®|HX2/Full NDI®:

Compatible with all video outputs of current mainstream. All interfaces can output video at the same time.In addition to NDI®|HX2(optional), it can supports Full NDI® protocol(optional) with lower delay.

### ■ Low Light:

Brand new CMOS image sensor with ultra high S/N Ratio can effectively reduce image noise in low light conditions. Applied 2D&3D Digital noise reduction at the same time, it reduces image noise greatly, even in ultra low light conditions, it could still remain the frame clean and clear, S/N Ratio of the image is higher than 50dB.

**Remote Control:**

Uses RS232, RS422/RS485 serial ports to control multiple cameras with daisy chain.

**Signal Transparent Transmission Function of Infrared Remote Controller:**

Apart from receiving its own infrared remote controller's signals, it can also receive signals from the consumer's infrared remote controller and send to video conference terminal via VISCA IN port.

**Various Video Compression Standards:**

Different interfaces support YUY2, H.265, MJPG, H.264 multiple video compression formats.

**Various Network Protocols:**

Supports ONVIF, SRT, RTSP, RTMP, RTMPS, NDI®|HX2 (optional) and other network protocols.

**Multiple Control Protocols:**

Supports VISCA (including VISCA Over IP), PELCO P/D, NDI® (optional) protocol, and automatically identifies protocols.

**Various Installation Methods:**

A variety of installation methods, desktop, ceiling, wall installation.

**New generation AI human tracking algorithm:**

Upgraded to support AI intelligent tracking and automatic framing functions.

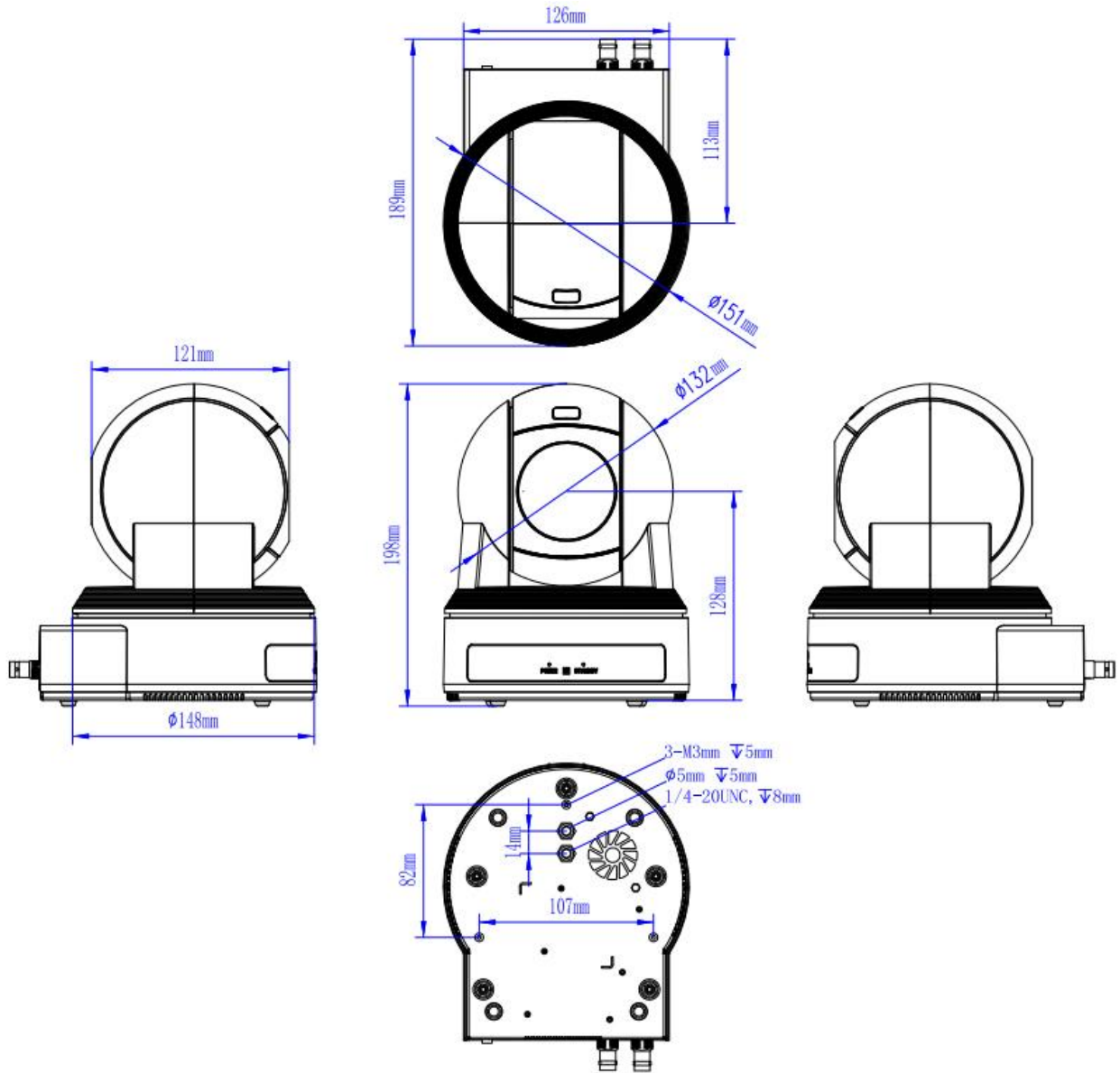
## Specifications

Image Parameters	
Resolution	HDMI: 1080p60/59.94/50/30/29.97/25, 1080i60/59.94/50, 720p60/50 SDI: 1080p60/59.94/50/30/29.97/25, 1080i60/59.94/50, 720p60/50
Image Sensor	SONY 1/2.8" CMOS
Pixels	3.50 Megapixels, 2.07 Effective Megapixels
Scan Mode	Line by line
Lens	HD62A: 20X Optical Zoom, f=5.2mm(W)~104mm(T), F1.55~3.13 HD62DB: 30X Optical Zoom, f=5.2mm(W)~156mm(T), F1.3~F4.8
Digital Zoom	16X
Horizontal View Angle	HD62A: 58.7°(W)~3.2°(T) HD62DB: 58.1°(W)~2.14°(T)
Vertical View Angle	HD62A: 32.2°(W)~1.8°(T) HD62DB: 33.8°(W)~1.2°(T)
Focus System	Auto, Manual
Shutter Speed	1/50s ~ 1/10000s
Minimum Illumination	0.1 Lux @ (F1.3, AGC ON)
Exposure	Auto, Manual, Iris Priority, Shutter Priority, Brightness priority
White Balance	Auto, Indoor, Outdoor, Keying, Auto Tracking, Manual
Backlight Compensation	Support
Digital Noise Reduction	2D&3D Digital noise reduction

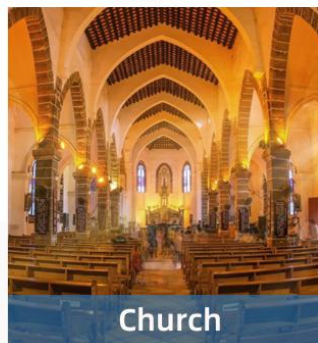
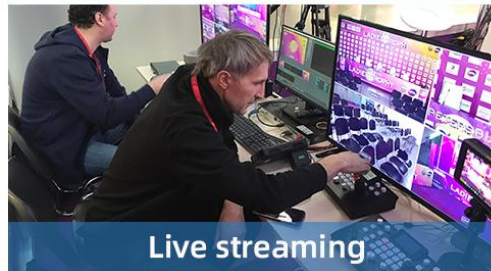
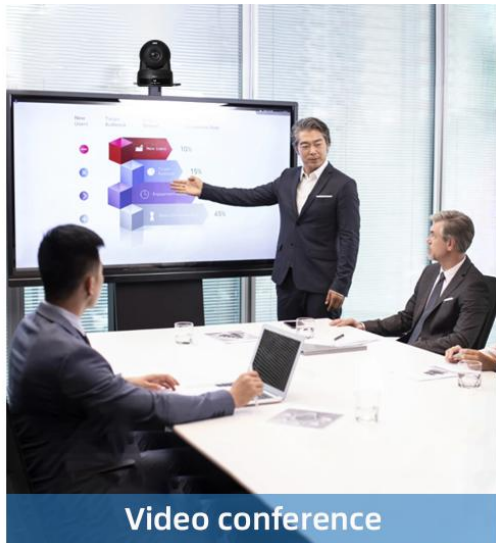
S/N Ratio	≥50dB
<b>Pan/Tilt</b>	
Pan Angle	355°
Tilt Angle	-30°~+90°
Pan Speed	1°~80°/s
Tilt Speed	1°~60°/s
Preset Positions	9 preset positions by IR remote controller, 255 preset positions by joystick controller or PC
Preset Accuracy	0.1°±10%
Flip	Support
Image Freeze	Support
POE	802.3af
<b>AI</b>	
AI Tracking	Support
Auto Framing	Support
Tracking Size	Support
Tracking Sensitivity	Support
AI Guard Position	Support
<b>USB</b>	
Protocol	UVC 1.1
Operating System	Window7 and above, MacOS, Linux, Android
Video Compression	YUY2, MJPEG
Resolution	1920*1080, 1280*720, 960*540, 800*600, 720*576, 720*480, 640*480, 640*360, 352*288, 320*240
Frame Rate	Max.60
UVC Control	Support
<b>LAN</b>	
Protocol	TCP/IP, HTTP, RTSP, RTMP, RTMPS, SRT, Onvif, DHCP, VISCA Over IP, NDI@HX2 (Optional), Full NDI@ (Optional)
Video Compression	H.264, H.265
Code Stream	Main code stream*1, Sub code stream*1
Main Stream Resolution	1920*1080, 1280*960, 1280*720, 720*576, 720*480, 640*480
Sub Stream Resolution	640*480, 640*360, 480*360, 352*288, 320*240, 176*144
Bitrate Control	VBR, CBR
<b>Audio</b>	
Audio Compression	AAC
Audio Bit Rate	128kbps
<b>Interface</b>	
HDMI Interface	1 Line, HDMI: Version 1.4
SDI Interface	1 Line, 3G-SDI
USB Interface	1 Line, USB3.0, Type-B Socket
Network Interface	1 Line, RJ45: 10M/100M adaptive Ethernet port
Audio Interface	1 Line, Line In, 3.5mm

Serial Interface	1 Line, RS232 IN/Out: 8-Pin Mini Din, up to 30 meters, VISCA/Pelco-D/Pelco-P Protocol. 1 Line, RS422/485: 9-Core Phoenix Interface, up to 1200 meters, VISCA/Pelco-D/Pelco-P Protocol.
Power Interface	JEITA RC-5320A Type 4
<b>General Specifications</b>	
Tally Light	Support
Input Voltage	DC 12V
Input Current	Max.1.5A
Power Consumption	Max.18W
Operating Temperature	0~40℃
Storage Temperature	-10~60℃
Color	Black, White (Optional)
Dimension	(W)126*(D)189*(H)198mm
Weight	1.3kg
Accessories	DC 12V power adapter, IR Remote, User manual, USB3.0 Cable, RS-232C Cable, Ceiling bracket, Wall bracket(Optional)

## Dimension



## Application scenarios



## Connection

