

JT-HD43DA/43DB

HD video conference camera

1080P60

USB3.0+HDMI+LAN+3G-SDI

20/30X

AI Tracking

Auto Framing



Features

■ 1080P HD resolution:

Apply SONY 1/2.8" Progressive CMOS sensor, 2.07 Megapixels, can reach max.1920x1080 high resolution with frame rate up to 60fps.

■ 30x and 20x optical zoom lens optional:

HD43DA: 20x optical zoom+16x digital zoom, supports a horizontal viewing angle of 58.7°.

HD43DB: 30x optical zoom+16x digital zoom, supports a horizontal viewing angle of 58.1°.

■ HDMI+3G-SDI+USB3.0+LAN multi-interface, rich application scenarios:

Compatible with all current mainstream video output interfaces, and supports simultaneous output function.

■ Remote control:

Use RS232 and RS485 serial ports to control multiple cameras.

■ Low light:

Brand new CMOS image sensor with ultra high S/N Ratio can effectively reduce image noise in low light conditions. Applying 2D&3D Digital noise reduction at the same time, it reduces image noise greatly, even in ultra low light conditions, it could still remain the frame clean and clear, S/N Ratio of the image is higher than 50dB.

■ Infrared transparent transmission:

In addition to being able to receive its own dedicated remote control signal, it can also receive the user's infrared remote control signal and send it to the video conference terminal through the VISCA IN port.

■ **Contains multiple control protocols such as:**

Support VISCA, PELCO P/D, Onvif multiple control protocols, support automatic identification protocol.

■ **Various video compression standards:**

Different interfaces support YUY2, H265, MJPG, H264 multiple video compression formats.

■ **Various network protocols:**

Support ONVIF, SRT, RTSP, RTMP, RTMPS and other network protocols.

■ **Multiple Control Protocols:**

Support VISCA (including VISCA Over IP), PELCO P/D protocol, support automatic identification protocol.

■ **Various installation methods:**

A variety of installation methods, desktop, ceiling, wall installation.

■ **New generation AI human tracking algorithm:**

Upgraded to support AI intelligent tracking and automatic framing functions.

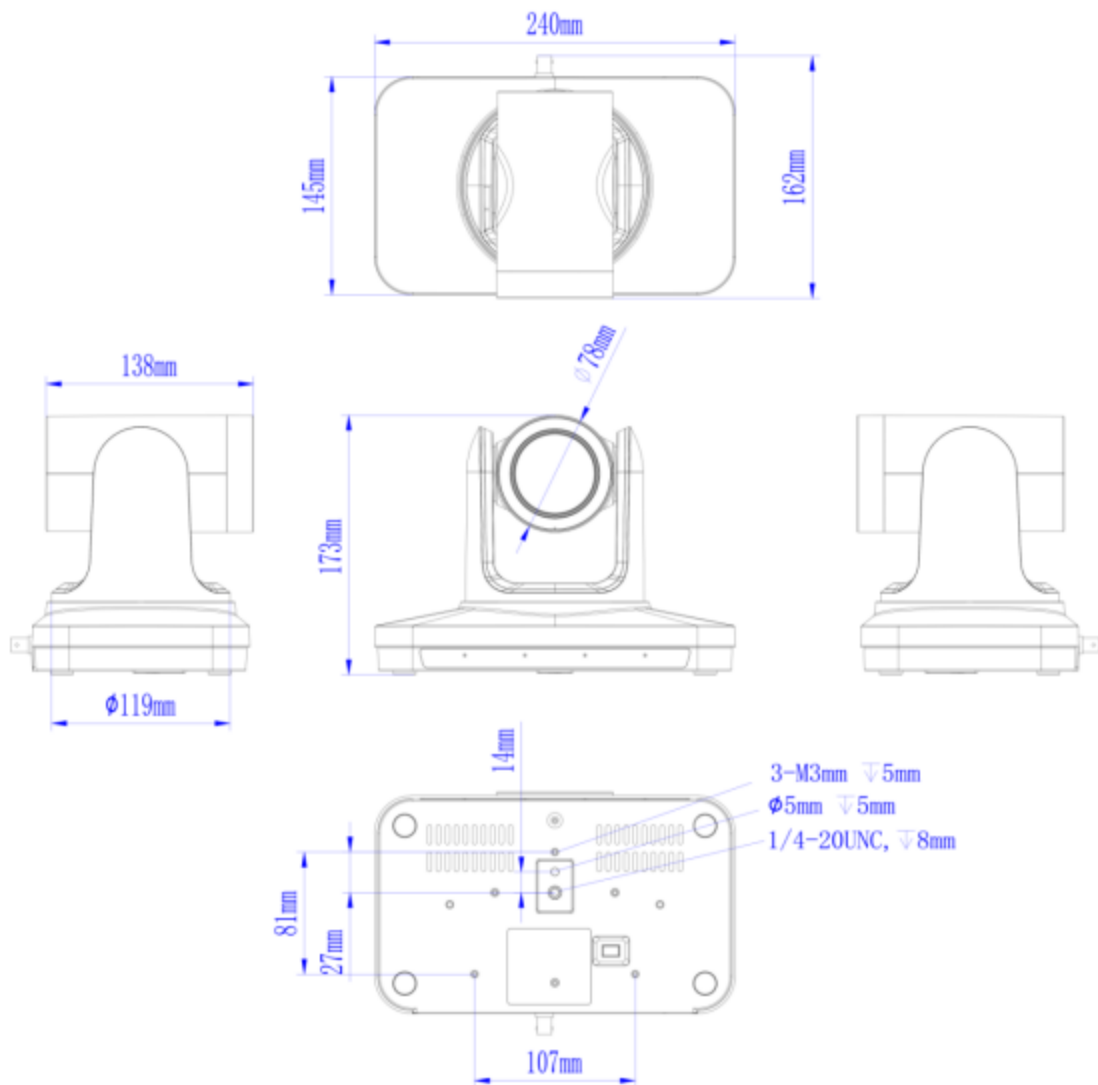
Specifications

Image Parameters	
Resolution	HDMI: 1080p60/59.94/50/30/29.97/25, 720p60/50 SDI: 1080p60/59.94/50/30/29.97/25, 720p60/50
Image Sensor	SONY 1/2.8" CMOS
Pixels	3.50 Megapixels, 2.07 Effective Megapixels
Scan Mode	Line by line
Lens	HD43DA: 20X Optical Zoom, f=5.2mm(W)~104mm(T), F1.55~F3.13 HD43DB: 30X Optical Zoom, f=5.2mm(W)~156mm(T), F1.3~F4.8
Digital Zoom	16X
Horizontal View Angle	HD43DA: 58.7°(W)~3.2°(T) HD43DB: 58.1°(W)~2.14°(T)
Vertical View Angle	HD43DA: 32.2°(W)~1.8°(T) HD43DB: 33.8°(W)~1.2°(T)
Focus System	Auto, Manual
Shutter Speed	1/50s ~ 1/10000s
Minimum Illumination	HD43DA: 0.1 Lux @ (F1.5, AGC ON) HD43DB: 0.1 Lux @ (F1.3, AGC ON)
Exposure	Auto, Manual, Iris Priority, Shutter Priority, Brightness priority
White Balance	Auto, Indoor, Outdoor, Keying, Auto Tracking, Manual
Backlight	Support

Compensation	
Digital Noise Reduction	2D&3D Digital noise reduction
S/N Ratio	≥50dB
Pan/Tilt	
Pan Angle	±168°
Tilt Angle	-30°~+90°
Pan Speed	1°~90°/s
Tilt Speed	1°~90°/s
Preset Positions	9 preset positions by IR remote controller, 255 preset positions by joystick controller or PC
Preset Accuracy	0.1°±10%
Flip	Support
Image Freeze	Support
AI	
AI Tracking	Support
Auto Framing	Support
Tracking Size	Support
Tracking Sensitivity	Support
AI Guard Position	Support
USB	
Protocol	UVC 1.1
Operating System	Window7 and above, MacOS, Linux, Android
Video Compression	YUY2, MJPEG
Resolution	1920*1080, 1280*720, 960*540, 800*600, 720*576, 720*480, 640*480, 640*360, 352*288, 320*240
Frame Rate	Max.60
UVC Control	Support
LAN	
Protocol	TCP/IP, HTTP, RTSP, RTMP, RTMPS, SRT, Onvif, DHCP, VISCA Over IP
Video Compression	H.264, H.265
Code Stream	Main code stream*1, Sub code stream*1
Main Stream Resolution	1920*1080, 1280*960, 1280*720, 720*576, 720*480, 640*480
Sub Stream Resolution	640*480, 640*360, 480*360, 352*288, 320*240, 176*144
Bitrate Control	VBR, CBR
Audio	
Audio	AAC

Compression	
Audio Bit Rate	128kbps
Interface	
HDMI Interface	1 Line, HDMI: Version 1.4
SDI Interface	1 Line, 3G-SDI
USB Interface	1 Line, USB3.0, Type-B Socket
Network Interface	1 Line, RJ45: 10M/100M adaptive Ethernet port
Audio Interface	1 Line, Line In, 3.5mm
Serial Interface	1 Line, RS232 IN/Out: 8-Pin Mini Din, up to 30 meters, VISCA/Pelco-D/Pelco-P Protocol. 1 Line, RS422/485: 3-Core Phoenix Interface, up to 1200 meters, VISCA/Pelco-D/Pelco-P Protocol.
Power Interface	JEITA RC-5320A Type 4
General Specifications	
Input Voltage	DC 12V
Input Current	Max. 1.5A
Power Consumption	Max. 18W
Operating Temperature	0~40℃
Storage Temperature	-10~60℃
Color	Black
Dimension	(W)240*(D)162*(H)173mm
Weight	1.2kg
Accessories	DC 12V power adapter, IR Remote, User manual, USB3.0 Cable, RS-232C Cable, Ceiling bracket, Wall bracket(Optional)

Dimension



Application scenarios



Connection

